

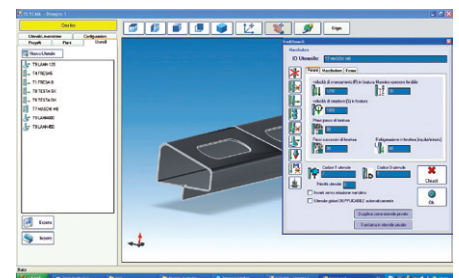
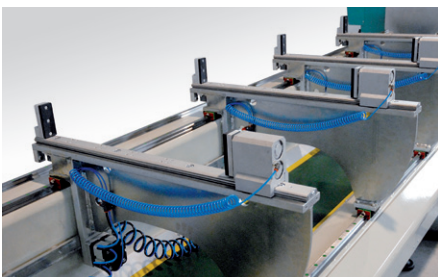
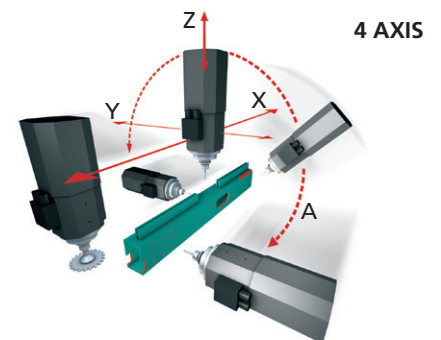
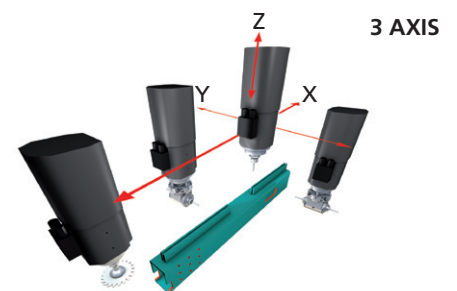
3-4 Axis machining center

ENG

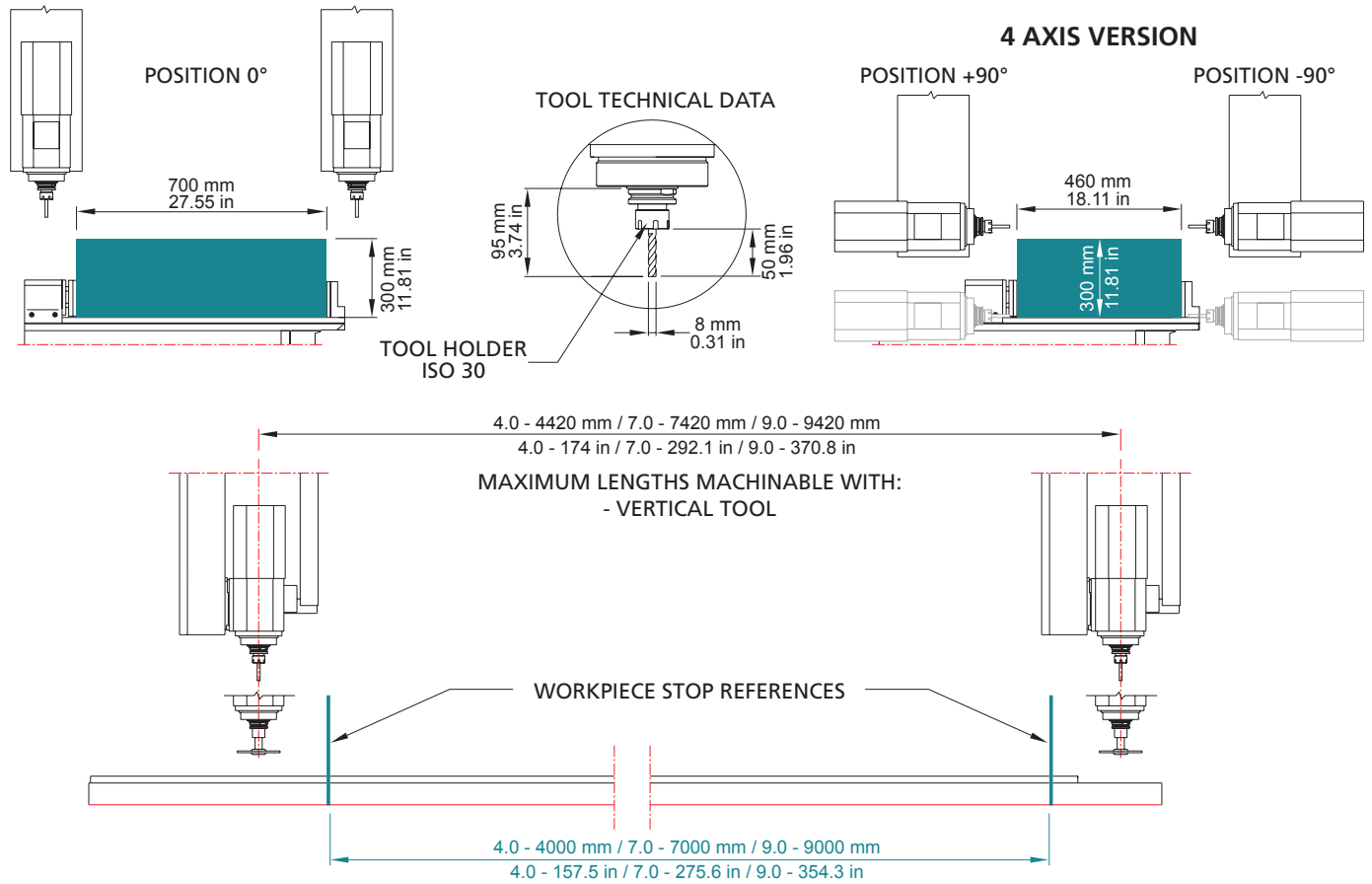
3-4-Axis CNC machining center with moving portal, especially designed for milling, drilling, threading and cutting bars or workpieces made of aluminium, PVC, light alloys and steel.

Technical features:

- Main structures made of electro-welded steel, normalized and worked with CNC machine tools.
- 3-4-Axis movement controlled by high-precision brushless servomotors.
- Electric spindle (5,5 kW in S1), with ISO 30 tool connection suitable for material removal processes during milling and drilling operations.
- Tool magazine holding up to 8 tools, placed on the back side of the moving portal.
- Clamps movement automatically set, controlled by CNC.
- Standard versions 4, 7 and 9 meters.
- Double working area (version 7 and 9 meters).
- Chips conveyor plate.
- Safety light curtains system located in front of the machine.
- Safety guards in electro-welded net on the three sides of the machine.



MAXIMUM SIZE MACHINABLE WITH VERTICAL TOOL IN POSITIONS 0°/+90°/-90°



Description	Pegaso 3-4 axis 4.0 - 7.0 - 9.0 version	Description	Pegaso 3-4 axis 4.0 - 7.0 - 9.0 version
X AXIS LONGITUDINAL	4420 - 7420 - 9420 mm 174 - 292 - 371 in	NUMBER OF STOP REFERENCES STANDARD	1 pneumatic (4.0 version) 2 pneumatic (7.0 - 9.0 version)
Y AXIS CROSS	1140 mm 44.9 in	VOLTAGE	400 V triphase - 50/60 Hz
Z AXIS VERTICAL	600 mm 23.6 in	SPINDLE MOTOR POWER S1	5,5 kW / 7,5 kW
A AXIS ROTATION (IN 4 AXIS VERSION)	from -90° to +90°	ADJUSTABLE ELECTRO SPINDLE SPEED	0-24000 rpm
AXIS ACCELERATION	X 2 m/sec ² Y 2 m/sec ² Z 2 m/sec ²	TOOL HOLDER	ISO 30
AXIS POSITIONING SPEED	X 100 m/min Y 55 m/min Z 30 m/min	SPINDLE COOLING SYSTEM	Electric fan
TOOL MAGAZINE CAPACITY	8 positions	OPERATING PRESSURE	7 bar
MAXIMUM MILLING BLADE DIAMETER	120 mm 4.72 in	TOTAL INSTALLED POWER	10 kW / 12kW
NUMBER OF STANDARD VICES	4 (4.0 version) 8 (7.0 - 9.0 version)	OVERALL DIMENSIONS (LxPxH) mm - WEIGHT kg	6300x3100x2400 mm - 2300 kg 9800x3100x2400 mm - 3200 kg 11300x3100x2400 mm - 3600 kg
VICES POSITIONING	automatic	OVERALL DIMENSIONS (LxPxH) in - WEIGHT lb	248x122x95 in - 5060 lb 367x122x95 in - 7040 lb 445x122x95 in - 7920 lb

Version 07/2014

The specifications and illustrations in this catalogue are only a guide, ITALMAC S.r.l. therefore reserves the right to make any modifications it deems necessary for technical or commercial reasons.