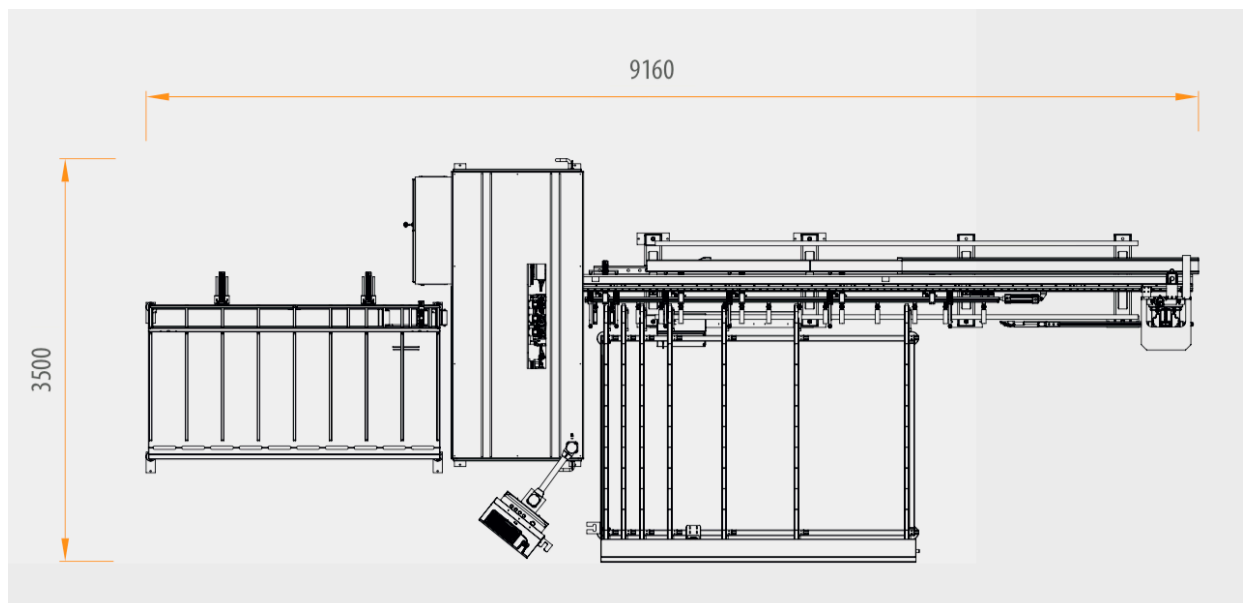




## NR 210

### Profile Machining Centre

- Routing, reinforcement steel screwing, drilling, milling, marking operations on PVC profiles are gathered in one machine controlled by a computer
- Stacking of 10 cut to size profiles with reinforcement steel (max 3.5m length)
- Data transfer is either provided via network or USB interface.
- The barcode reader enables arranging the sequence of the profile and processes
- Drain slot routing, drilling and routing at variable angles
- Automatic screwing of reinforcement steels
- Drilling of fixation and hinge holes together with the reinforcement steel
- Full integration with various window and door production software
- 19" LED monitor
- High performance industrial PC with Windows 10 operating system, which works between 0°C and 55°C without the need for a fan
- All error messages can be monitored from the screen
- By online connection to the entire system, remote detection of malfunctions and maintenance is available
- Central lubrication system eases maintenance





### **Technical Features**

- Power supply: 415V, 3ph, 50-60Hz
- Power output: 9kW, 24A
- Max profile height: 140mm
- Min profile height: 35mm
- Max profile width: 130mm
- Min profile width: 35mm
- Max profile processing length: 3,500mm
- Min profile processing length: 330mm
- Air pressure: 6-8bar
- Machine height: 2,100mm
- Machine length: 9,160mm
- Machine width: 3,500mm
- Machine weight: 4,700kg