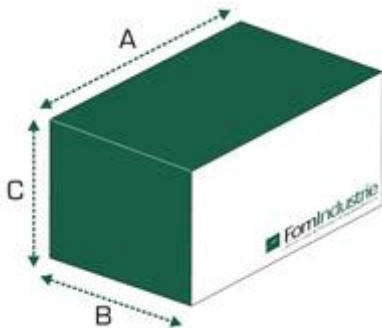




Matisse

An electro pneumatic copy router with worktable rotation



	A (mm)	B (mm)	C (mm)	Kg
	800	890	1710	240
Fig. 1	2875	890	1710	240



Matisse with vice jaw extensions

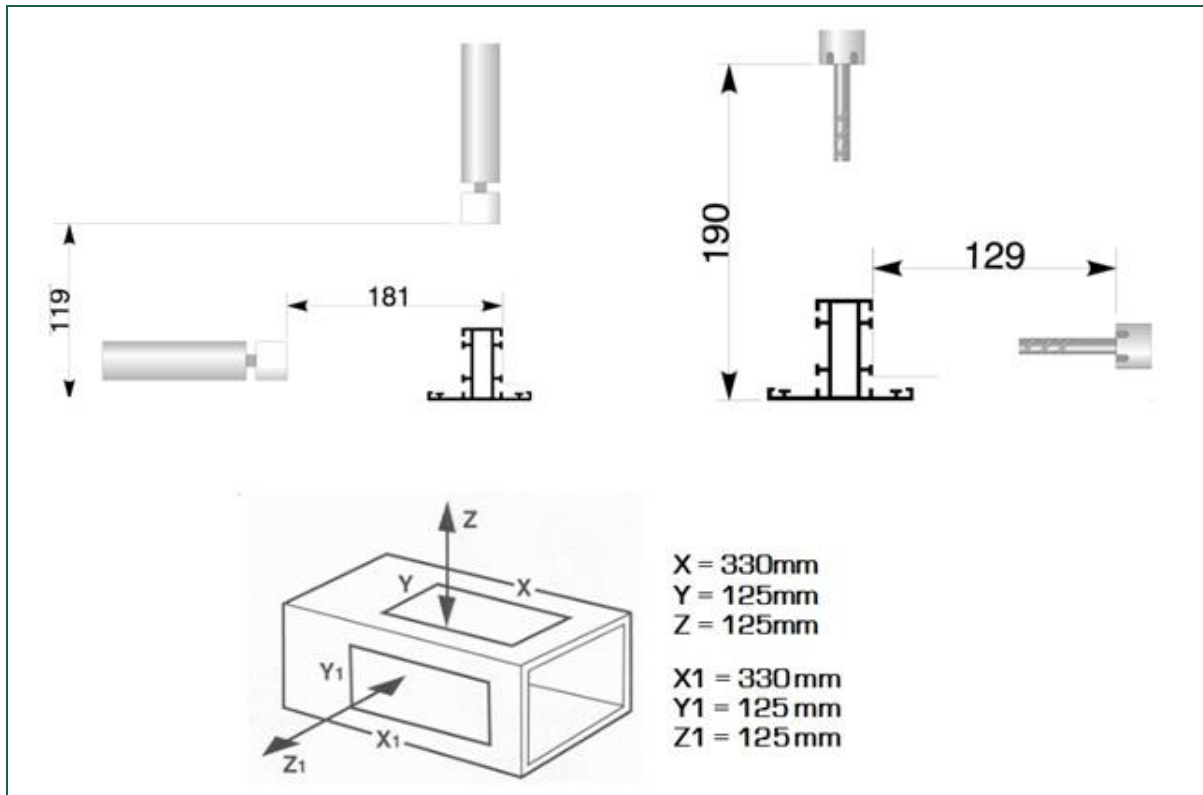


Power supply	Total power installed	Air consumption for work cycle	Working pressure
3F - 400 V AC - 50 Hz	0,55 kW	3 NL/cycle	7 bar

Technical Specification

- Spindle with dual rotation speed (6.000/11.800rpm)
- Tool coupling ER 20
- 2 vertical and 2 horizontal vices with safety valves
- Double working pressure servo-controlled in low pressure
- Manual rotation and pneumatic locking of the work table from 0° to 90°
- Axis translation by indirect levers
- Spray mist blade lubrication system
- Possibility of working at angles
- Rotation system preventing the loss of references during machining without losing the machine positioning
- 2 copying templates located on the superior side of the machine in an ergonomic position and easily visible to the operator
- 2 independent pneumatic tracers with double diameter selector Ø 5 and Ø 10mm
- Possibility of machining with copying jigs or mechanical stops
- Highly rigid head unit due to four cemented and round guide-ways with movement along recirculating ball bearings
- Quick spindle stop for tool changing
- Standard motor 230/400V three-phase 50Hz (special voltage three-phase 275/480V – 60Hz – see optionals)
- Air filter
- Chip bin

Working Capacity



Standard Accessories

- Milling bit: 10mm. Ø - 10mm. Ø tang
- Milling bit: 5mm Ø - 8mm Ø tang
- Collet ER 20 for milling bit: Ø 10mm
- Collet ER 20 for milling bit: Ø 8mm
- Ring nut for milling bit locking
- No. 2 templates
- Vice jaw extension 1200mm (Rh and Lh)
- Receding length stop (No. 6)
- Compressed air gun with spiral hose (for machine cleaning)
- Packing with heat-shrink plastic bag



Optionals

Code	Description
ZG-79126	Additional charge for special voltage and cycle (Standard motor 380/480V 3ph 50/60HZ. To be specified at time of order.
ZG714706	Additional charge for EAC (Eurasian Conformity) certification
ZG714488	Variation for measurement unit in inches
ZG714496	UL-CSA version plant
PR-24240	Additional receding stop
QN-26548	Additional magnetic receding stop
PR-25042	Minimum quantity lubrication (MQL) with pure oil Note: Dedicated oil - LUBRI FOM
DR-75088	Collet \varnothing 7/8mm ER 20
DR-75077	Collet \varnothing 9/10mm ER 20
DR-75078	Ring nut \varnothing universal
ET715934	6000DPL Lubexall oil 5l
ET715935	6000DPL Lubexall oil 25l
FF-71775	Carton packing
FC315853	Crate packing

Optional Packing

Vice jaw extensions are removed during transport.

- Carton pallet packing with heat-shrink plastic bag
- Crate packing

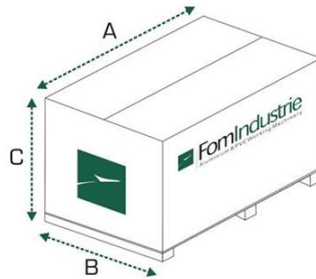
Carton Packaging

A = 1100mm

B = 880mm

C = 1800mm

Weight 260kg



Crate Packaging

A = 1100mm

B = 880mm

C = 1800mm

Weight 280kg

